

High-Resolution, Weatherproof Ball Camera



This camera's ball-shaped housing can be rotated 350° and tilted 90° during installation.

The ultra compact and weatherproof Ball Camera features a gray or black Lexan® housing that can be rotated 350° and tilted 90° during installation. It can be mounted to a ceiling, wall, or over a single gang box. It will withstand temperatures ranging from 14 to 122 °F (-10 to 50 °C).

The Ball Camera can be ordered with a black-and-white

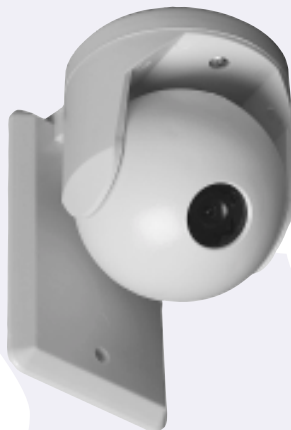
camera that delivers 580 TV lines of resolution and is sensitive to 0.1 lux, a color camera that delivers 480 TV lines of resolution and is sensitive to 1.0 lux, or a color/monochrome camera that delivers 480 TV lines of resolution. During the day, the color/monochrome camera provides a high-resolution, color image that is sensitive to

Features

- Weatherproof housing operates in temperatures from 14 to 122 °F (-10 to 50 °C).
- Gray or black Lexan construction
- Compact—only 3.0 inches (76.2 mm) high
- Ball can be rotated 350° and tilted 90° during installation
- Can be mounted on the ceiling, to a wall, or over a single gang box
- High-resolution black-and-white, color, or color/monochrome camera
- Various fixed lens options: 2.5, 4, 6, 8, or 12 mm.
- 10 to 40 VDC / 18 to 30 VAC input voltage

1.0 lux. During low-light conditions, the camera will respond to IR illumination from an IR source (such as an IR lamp or LEDs), providing a clear, high-quality image under 0-lux visible light.

The Ball Camera is available with a 2.5-, 4-, 6-, 8-, or 12-mm lens. It accepts a 10 to 40 VDC / 18 to 30 VAC input voltage.



Discreet Design

The Ball Camera's ultra compact and discreet housing is available in black or gray Lexan.

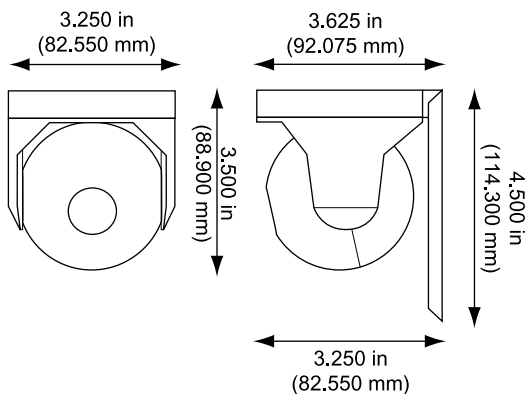


Technical Specifications

Common Camera Specifications (Black-and-White, Color, and Color/Monochrome)

| | |
|-----------------------------|---|
| Signal system: | NTSC/EIA standard or PAL/CCIR option |
| Image sensor: | 1/4-in. interline transfer Sony super HAD CCD |
| Effective picture elements: | 811 (H) x 508 (V) |
| Scanning system: | 2:1 interlace—525 lines, 60 fields (NTSC/EIA); optional 625 lines, 50 fields (PAL/CCIR) |
| Signal-to-noise ratio: | Better than 50 dB (AGC off) |
| AGC: | Max 36 dB |
| Backlight compensation: | Automatic histogram on (under AES), center window weighted |
| Synchronization: | Internal / line lock AC (phase adjustable) |
| Gamma compensation: | 0.45 |
| Video output: | 1.0 V pk-pk 75 ohm unbalanced |
| Electronic shutter: | AES 1/50 (1/60 sec) – 1/100,000 sec |
| Power supply: | 10 – 40 VDC / 18 – 30 VAC, isolated, reverse polarity protected |
| Operating temperature: | 14 to 122 °F (-10 to 50 °C) |
| Weight: | 1.8 lb (820 g) |

Dimensions



Black-and-White Camera

| | |
|---------------------------------|---|
| Resolution: | 580 TVL |
| Sensitivity: | 0.1 lux @ f1.4 (minimum illumination); 0.01 lux (faceplate) |
| Power consumption (per camera): | 125 mA; 1.5 W @ 12 VDC, 3 W @ 24 VAC |

Color Camera

| | |
|---------------------------------|--|
| Resolution: | 480 TVL |
| Sensitivity: | 1.0 lux @ f1.4 (minimum illumination); 0.1 lux (faceplate) |
| White balance: | Auto tracking white balance 2500 to 9500 K |
| Power consumption (per camera): | 160 mA; 1.9 W @ 12 VDC, 3.8 W @ 24 VAC |

Color/Monochrome Camera

| | |
|---------------------------------|---|
| Sync system: | Internal/line-lock (auto fix zero-cross) |
| Horizontal resolution: | 480 TV lines |
| Minimum illumination: | 1.0 lux @ f1.4; 0 lux under infrared illumination |
| Infrared wavelength: | From 780 nm to 1000 nm |
| Aperture correction: | H aperture and V aperture |
| Gain: | Max gain 36 dB |
| Signal-to-noise ratio: | Better than 51 dB |
| Backlight compensation: | Automatic histogram and window's weight BLC |
| Power consumption (per camera): | 2.4 W @ 12 VDC, 3.1 W @ 24 VAC |

BC- [] [] 00- [] [] - []

| Camera | Lens | Housing Color |
|---------------------|-----------|---------------|
| 12 B/W | 25 2.5 mm | Blank Gray |
| 15 Color | 04 4 mm | B Black |
| 18 Color/Monochrome | 06 6 mm | |
| | 08 8 mm | |
| | 12 12 mm | |

Ordering Information

Choose your camera, lens, and housing color option to determine the model number of the Ball Camera that meets your specifications.



GE Interlogix

Distribuído por: Alarmes Tucano Ltda
 R. Des. Antônio de Paula, 3577
 Boqueirão - Curitiba - Pr
 Fone/fax: (41) 3286-2867
www.tucanobrasil.com.br/ tucano@tucanobrasil.com.br