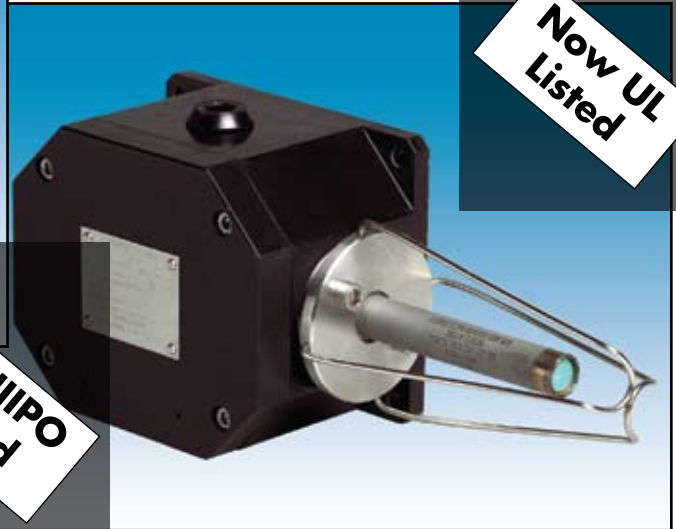


HEAT DETECTOR

EExd, EExem & Intrinsically Safe (EExia) HD1 Range



EExd version (optional guard)



**Now UL
Listed**

**Now VNIPO
Approved**

EExia/EExem/UL versions (optional guard)

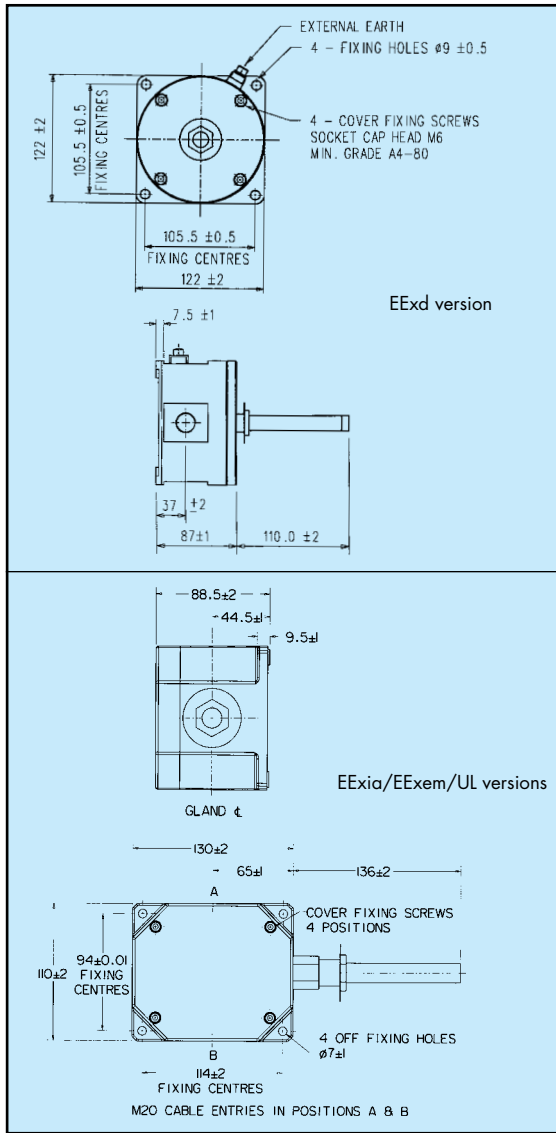
Introduction

The MEDC-Hawco heat detector has been designed for use in hazardous environments. These units are suitable for fire alarm and/or suppression systems in offshore and onshore applications including paint spray booths, flammable material stores, turbine rooms, extract ductwork and other hazardous areas throughout the oil & gas, petrochemical and process industries.

Comprising a Fenwal rate-compensated detector with all-stainless steel external construction, mounted to either a type SM87 marine grade alloy enclosure (EExd version) or JB10 corrosion-free GRP enclosure (EExia, EExem/UL versions). The contact in the detector CLOSES at alarm temperature.

To select appropriate temperature setting see specification on reverse.

- ★ Zone 0, Zone 1 and Zone 2 use.
 - ★ EExia IIC T4/T6, EExd IIB T3/T6 or EExem II T6.
 - ★ ATEX approved – Ex II 1G (EExia)
– Ex II 2G (EExd/EExem).
 - ★ BASEEFA certified.
 - ★ UL listed for USA and Canada
– Class I, Div 2, Groups A-D.
 - ★ GOST 'R' & 'K' certified.
 - ★ Chinese (CQST) certified.
 - ★ Brazilian (Inmetro) certified.
 - ★ IP66 & IP67.
 - ★ Certified temperature:
–20°C to +125°C (EExd)*.
–20°C to +55°C (EExem/UL).
–55°C to +55°C (EExia).
 - ★ Stainless steel probe.
 - ★ Detector temperature settings:
60°C to 385°C, (140°F to 725°F).
 - ★ Marine grade alloy or GRP enclosure.
 - ★ Optional guard.
- *Model dependent.



Specification

Certification: CENELEC EN50014, 19 & 28.
 EExd IIB T6 (T3 at +125°C), Cert.No. Baseefa 03ATEX0447.
 EExia IIC T6 (T4 with diodes/resistors), Cert. No. Baseefa 03ATEX0427.
 EEExm II T6, Cert. No. Baseefa 03ATEX0428.

UL listed for USA and Canada

- Class I, Div 2, Groups A, B, C & D.
 UL Listing no. E252920 - versions up to 450°F
 UL Listing no. E254077- versions 600°F to +725°F

GOST 'R' & 'K' Certification: Exd, Exi & Exem versions.
 Russian Fire Alarm (VNIIPO) approved.
 CQST - Exd, Exi & Exem versions.

Chinese Certification:

Brazilian (Inmetro) Certification: BR-Ex d IIB T6 or T3
 BR-Ex d IIB T6 or T3
 BR-Ex ia IIC T6

Material: Detector: 316 stainless steel
 Enclosures: EExd - LM25 marine grade alloy.
 EExia/EEExm/UL - GRP (anti-static).
 Stainless steel cover screws.
 Optional Guard: 316 stainless steel.

Finish: Detector: Sand blasted.
 Enclosures: EExd - Epoxy painted grey as standard or to customer's specification.
 EExia/EEExm/UL - Self coloured black or epoxy painted to customer's specification.

Weight: EExd, 2kg.
 EExia/EEExm/UL, 1.1kg.

Certified: -20°C to +125°C EExd (T3) ATEX & GOST 'R' only.
Temperature: -20°C to +55°C EExd (T6)/EEExm/UL, -55°C to +55°C EExia.

Ingress Protection: IP66 & IP67.

Operation: The detector contact is normally open and CLOSES at alarm temperature.

Listed Temperature Settings: To select appropriate temperature settings, choose detector at 38°C (100°F) above maximum ambient temperature.

Temperature Setting		Tolerance		Colour Code Detector Tip
(°F)	(°C)	(°F)	(°C)	
140	60	+7/-8	±4	Black
160	71	+7/-8	±4	Black
190	88	+7/-8	±4	White
225	107	+7/-8	±4	White
275	135	±10	±6	Blue
325	163	±10	±6	Red
360	182	±10	±6	Red
450	232	±15	±8	Green
600	316	±20	±11	Orange
725	385	±25	±14	Orange

Contact Rating: EExd/EEExm/UL: 125Va.c.-5A, 125Vd.c.-0.5A, 48Vd.c.-1A. EExia: 30V-300mA.

Terminals: 6 x 4mm² (BK6).

Labels: Optional stainless steel tag and duty labels.

Cable Entries: 2 x M20 ISO (ATEX/Exd/Exe/Exi versions) 2 x 1/2" NPT via adaptors (UL version).

Resistor: Series & EOL resistor (maximum total 2) minimum value (each) 470Ω - only available Exd, Exi & UL versions.

Diodes: Up to 2 off available in Exd & Exi versions - contact sales office.

Ordering Requirements

The following code is designed to help in the selection of the correct unit. Build up the reference number by inserting the code for each component into the appropriate box.

Product	Description
HD1BDXXXNG	ATEX approved Ex II 2G, certified EExd IIB T6, specify temperature setting, 2 x M20 entries, marine grade alloy enclosure, painted grey.
HD1BIXXXNN	ATEX approved Ex II 1G, certified EExia IIC T6, specify temperature setting, 2 x M20 entries, GRP enclosure, natural black.
HD1BEXXXNN	ATEX approved Ex II 2G, certified EEExm II T6, specify temperature setting, 2 x M20 entries, GRP enclosure, natural black.

Model	Certification	Type	Temp. Settings	Options	Enclosure Finish
HD1	<input type="text"/>	<input type="text"/>	<input type="text"/>	<input type="text"/>	<input type="text"/>
Certification	Code	Type	Code	Option	Code
ATEX	B	Exd	D*	Duty Label	D
UL listed	UL	Exe	E†	Tag Label	T
ATEX/UL dual listed	AU	Exi	I	Guard	G
GOST 'R' *	G	UL	U‡	Resistor EOL	E
GOST 'K'	K	*Not available UL or ATEX/UL dual listed.		Resistor series	S
Chinese (CQST)	Q	†E version available only		Diode(s)*	I
Inmetro	M	‡Select this option for UL listed.		Blanking Plug	P
Note: ATEX Exd version dual marked for T3 at +125°C and T6 at +55°C.				None	N
*VNIIPO approved as standard.				*Only available in ATEX/Exd/Exia versions (specify No.)	
		Temp °F	Code	Finish	
		140	140	Natural Black (EEExe/EEExi/UL only)	
		160	160	Grey	
		190	190	Red	
		225	225	Blue	
		275	275	Yellow	
		325	325	Special Finish	
		360	360		
		450	450		
		600	600		
		725	725		