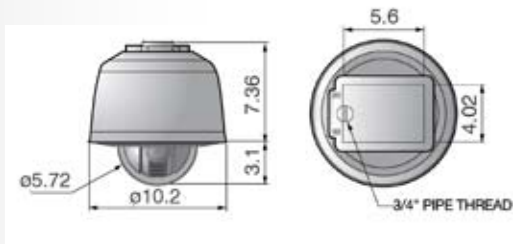


SNC-C7478(C)

36x Pan-Tilt-Zoom, SmartDome™ Network Camera



Dimensions (unit : in)



Features

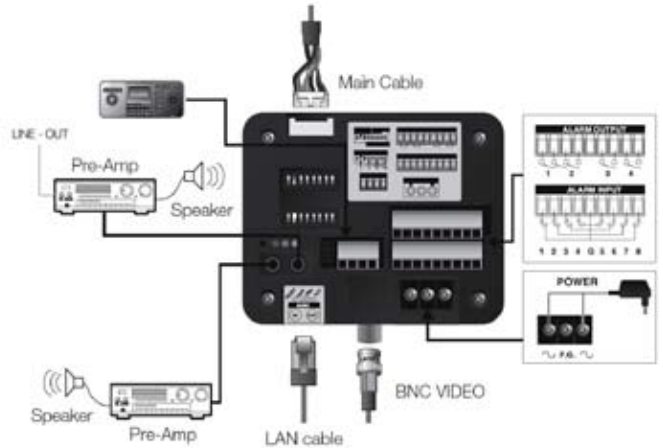
- Real-time 30(25) fps at High Resolution(DI)
- 432x Zoom Control (Optical 36x, Digital 12x)
- MPEG-4 & MJPEG Dual Encoding
- Rotating Speed : MAX. 360°/sec • Digital Image Stabilization
- Smooth Manual speed: MIN. 0.05°/sec
- Day/Night Function (ICR)
- WDR (Wide Dynamic Range)
- Endless 360° Pan Rotation
- Bi-directional Audio Support
- Shortest Path by Vector Drive Technology
- Micro SD/SDHC Memory Card Slot for Alarm Recording
- Scheduled Preset Function
- HTTPS security login support
- Housing Design for Quick installations and Maintenance
- Standard RTP/RTSP support (QuickTime, VLC Player)
- Vandal Proof/ Weather Proof
- IPv4/IPv6 support

36X Optical Zoom Lens

This camera system features a 36x Auto Focus Optical lens and 12x digital zoom combining to provide 432x zoom.



Installation - Cabling



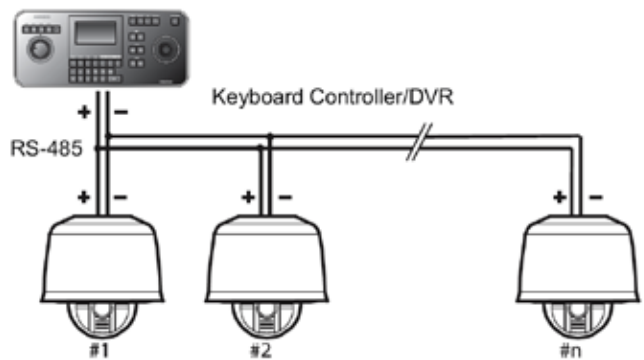
POWER CONNECTION

Please, check the voltage and current capacity of rated power carefully.

Rated Power	Input Voltage Range	Current Consumption
AC 24V	AC 19V ~29V	2.5 A

RS-485 COMMUNICATION

For PTZ control, connect this line to keyboard and DVR. To control multiple cameras, RS-485 communication lines can be connected in parallel as shown below.



SNC-C7478(C)

36x Pan-Tilt-Zoom, SmartDome™ Network Camera



Specifications

Camera Unit

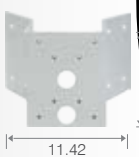
Camera Type	Color/BW	Auto			
Image	Device	1/4" Ex-View HAD Progressive Scan CCD			
Min. Illumination	Color/BW	Level	Sens-up	Color	B/W(S/W)
		50 IRE	Off	1.4 Lux	0.15 Lux
		30 IRE	Off	0.84 Lux	0.09 Lux
		15 IRE	Off	0.42 Lux	0.045 Lux
		50 IRE	64 times	0.0219 Lux	0.0023 Lux
		30 IRE	64 times	0.0131 Lux	0.0014 Lux
15 IRE	64 times	0.0066 Lux	0.0007 Lux		
Resolution	Horizontal	Color: 540TVL B/W: 570TVL			
PAN/TILT	Speed	Manual Pan	0.05° ~ 360°		
		Preset Pan	360°		
		Manual Tilt	0.05° ~ 360°		
		Preset Tilt	360°		
	Range	Panning	0° ~ 360° (Endless)		
		Tilting	180°		
	Number of Auto PAN		8		
	Number of Preset		127		
	Number of Pattern		4		
	Lens	Focal Length		3.4 ~ 122.4mm	
Zoom Ratio		36x Optical, 12x Digital			
Aperture Ratio		F1.6(W) / F4.5(T)			
Viewing Angle		Tele	1.7°(H) x 1.27°(V)		
		Wide	57.8°(H) x 43.35°(V)		
Lens Drive Type		DC Auto Iris			
Mount Type		Board-in type			
Functions	Number of Privacy Zones		8		
	Day/Night		Auto / Day / Night (ICR)		
	Wide Dynamic Range		On/Off		
	Digital Zoom		Yes (~12x)		
Environmental Conditions	Fan/Heater		Yes		
	Operating Temperature		-49°F ~ +122°F / -45°C ~ +50°C		
	Operating Humidity		Less than 90%		
Power	Power Requirement		AC 24V		
	Power Consumption		24W(Heater OFF) / 57W(Heater ON)		
	Physical Specification	Dimensions (Ø x H x D)	SNC-C7478	10.2 x 21.73 x 15.93 in / 259 x 552 x 404.5 mm	
SNC-C7478C			10.2 x 25.55 x 10.2 in / 259 x 649 x 259 mm		
Weight		Net	13.2 lb / 6 kg		
Color		Body	White Grey		

Network Unit

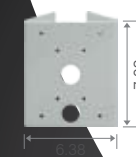
Network Board	OS		Embedded Linux
	Hardware	Flash memory	32M byte
		RAM	256M byte
		Ethernet	RJ-45 (10/100BASE-T)
		Video Out	VBS 1.0Vp-p
Audio		Line In / Line Out	
Alarm	Input	8 ea	
	Output	4 ea	
Video	Compression		MPEG4 / MJPEG Dual Codec Simultaneous Full Frame Dual Streaming
	Resolution	D1	NTSC: 720x480
		VGA	640x480
		CIF	NTSC: 352x240
	Frame Rate		NTSC: 30, 15, 8, 3, 1 fps
Quality		1 ~ 10 level	
Audio	Compression		G.711
	Bi-directional Communication		Yes
DIS	Digital Image Stabilization		Yes
Motion Detection	Sensitivity and Area Setting		High, Medium, Low
Protocol	IP		IPv4 / IPv6
	Network Protocol	IPv4	TCP/IP, UDP/IP, RTP(UDP), RTP(TCP), RTSP, NTP, HTTP, HTTPS, SSL, DHCP, PPPoE, FTP, SMTP, ICMP, IGMP, SNMPv1/v2c/v3(MIB-2), ARP, DNS, DDNS, VSIP
IPv6		TCP/IP, HTTP, HTTPS, SSL, DHCP	
Streaming		Unicast, Multicast	
Security		HTTPS(SSL) Login Authentication, Digest Login Authentication	
DDNS		Supporting Samsung DDNS and Public DDNS services	
Connection	Maximum User Access		Max 10 Users at Unicast Mode / Max 20 Users at Multicast Mode
	User Access Level	Administrator	Live Monitoring, Alarm I/O control, OSD menu control, PTZ control, SD memory search, SETUP
		Operator	Live Monitoring, PTZ control, Alarm I/O control
		User	Live Monitoring
Event Management	Alarm Input		JPEG Image transfer : FTP / JPEG Image / Recording : SD memory / Notification : notify to viewer or by E-mail (one image attachment), Alarm Out
	Motion Detection		JPEG Image transfer: FTP, E-mail / JPEG Image Recording: SD memory
	Schedule		JPEG Image transfer: FTP, E-mail / JPEG Image Recording: SD memory
Web Browser Viewer (Default)	Supported OS		Windows XP, VISTA
	Supported Browser S/W upgrade		Internet Explorer 6.0 or Higher Using Web viewer UI
SDK	HTTP API	CGI Command	Provides functionality to control cameras and set/retrieve internal parameter values. Get JPEG image or MJPEG stream Alarm In/Out control
		RTP/RTSP API	RTP Header, RTSP Command Document
	ActiveX	SDK	ActiveX API for viewing data streams from IP camera

Mount Adapter Options

SCX-747KM



SCX-747PM



SCX-747KM

Corner Mount Adapter for 36x PTZ (SCC-C7478, SNC-C7478)

Material	Steel
Dimensions (W x H x D)	11.42 x 7.09 x 6.61 in / 290 x 180 x 168 mm
Weight	5.07 lb / 2,300 g
Operating Temperature	-40°F ~ +122°F / -40°C ~ +50°C
Operating Humidity	0 ~ 90% RH

SCX-747PM

Pole Mount Adapter for 36x PTZ (SCC-C7478, SNC-C7478)

Material	Steel
Dimensions (W x H x D)	6.38 x 7.09 x 2.56 in / 162 x 180 x 65 mm
Weight	2.87 lb / 1,300 g
Operating Temperature	-40°F ~ +122°F / -40°C ~ +50°C
Operating Humidity	0~90% RH