

D7052



Fire Systems


EN | Installation Instructions
Multiplex Dual Input
Module


BOSCH

Notices

These instructions cover the installation of the D7052 Multiplex Dual Input Module in a fire system supervised by a D7024 or DS9400M Fire Alarm Control Panel (FACP) with firmware revision 2.0 or greater and a D7039 or DS9431 Multiplex Expansion Module.

Install, test, and maintain the D7052 according to these instructions, NFPA 72, local codes, and the Authority Having Jurisdiction (AHJ).

 Follow the procedures in these instructions to avoid personal injury and damage to equipment. Failure to follow these instructions can cause the D7052 to not operate properly. Bosch is not responsible for improperly installed, tested, or maintained devices.

 Test the FACP according to NFPA 72.

1.0 Description

The D7052 (*Figure 1*) is a general purpose module that connects to the multiplex bus of the control panel. It provides two supervised Class “B” input zones or one Class “A” input zone. Use a jumper pin setting for a Class “A” or Class “B” wiring configuration.

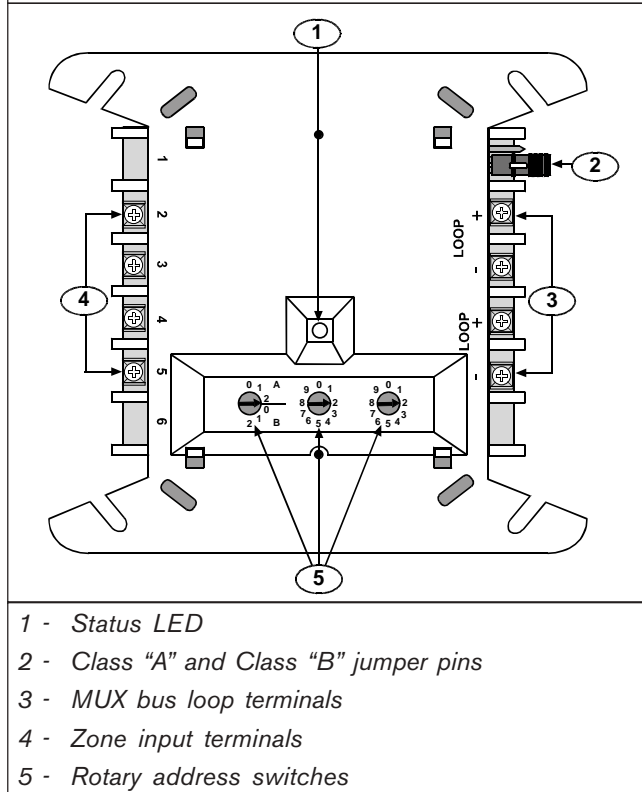
All operating power for the D7052 is drawn from the control panel. Rotary switches provide convenient address setting.

An on-board Status LED, visible through the faceplate, indicates normal operation and communication with the control panel. The LED flash rates are:

- **Fast:** Approximately 4 sec indicating an alarm condition.
- **Medium:** Approximately 8 sec indicating a normal operation.
- **Slow:** Approximately 16 sec indicating a trouble condition.

The D7052 can be mounted in a standard double-gang or a 4 in. x 4 in. electrical box.

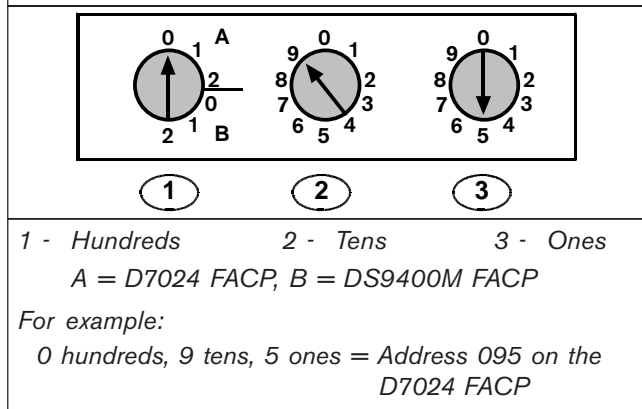
Figure 1: D7052 Features



2.0 Setting the Address

Set the D7052 address using a flat-blade screwdriver to position each rotary switch located on the front of the module (*Figure 2*). Note that the switches click when turned.

Figure 2: Setting the Address



The valid address range is 9 to 255. Refer to the *D7024 Operation and Installation Guide* (P/N: 31499) or the *DS9400M Reference Guide* (P/N: 44578) for additional address limitations.

The D7052 requires two program addresses. The address cannot be 8 or a multiple of 8, such as 16, 24, 32, and so on.




 The A address range works on the D7039 Multiplex Expansion Module with the D7024 FACP. The B address range works on the DS9431 Multiplex Expansion Module with the DS9400M FACP.

Figure 2 on page 2 shows the input address set at 095. The second input address will be set to the next consecutive address, 096. Because the hundreds address is within the input address range, it works on the D7039 with the D7024 FACP.

3.0 Wiring

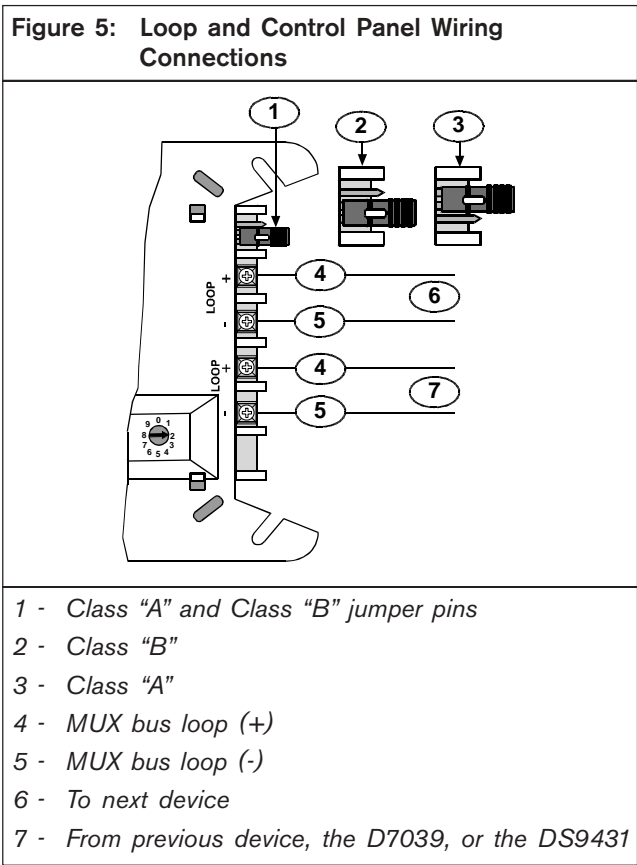
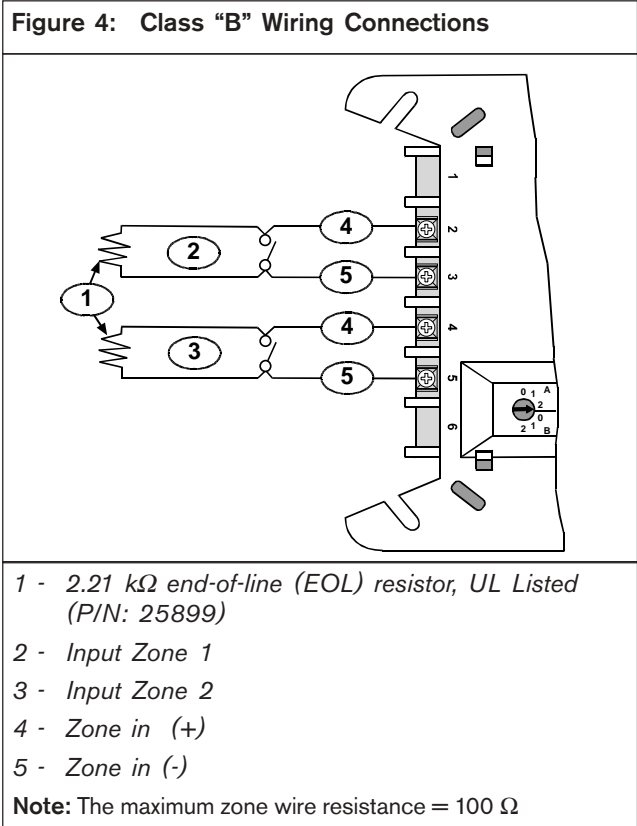
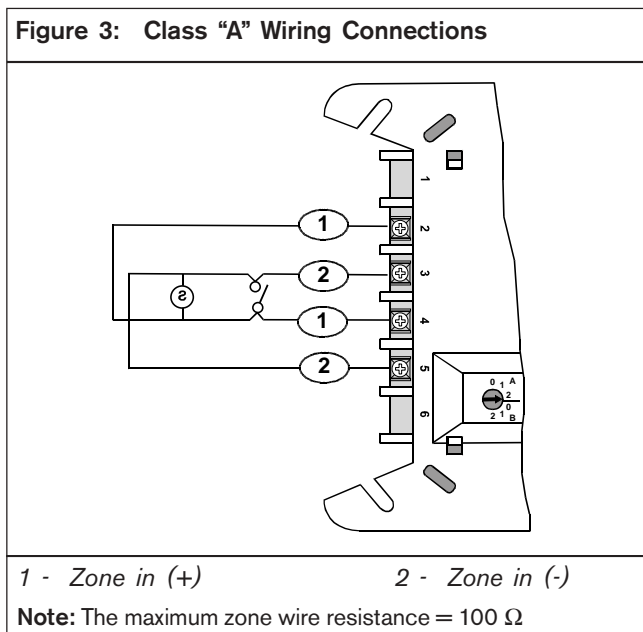
 Remove all power before making electrical connections. Failure to do so can result in personal injury and damage to the equipment.

 Use normally-open (NO) contacts for Underwriters Laboratories, Inc. (UL) Listed fire installations.

The wiring connections are made using the terminals on either side of the D7052 (refer to Figure 1 on page 2). All terminals can accommodate up to and including 12 AWG (2.3 mm) wire. Follow the wiring guidelines as specified by NFPA-70 and the local AHJ.

All wiring is power limited and supervised. Refer to Figure 3 and Figure 4 for the two types of wiring connections.

Ensure the D7052 is correctly configured for Class “A” or Class “B.” Refer to Figure 5 for jumper settings.



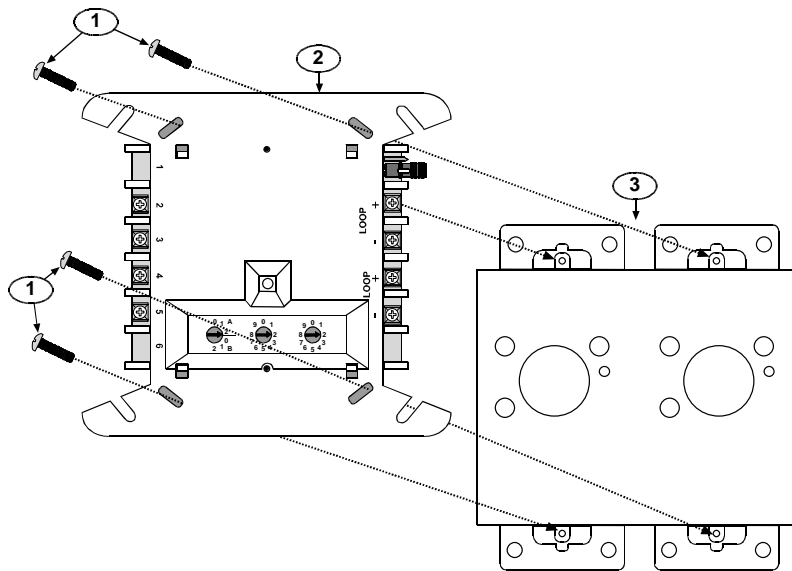
4.0 Installation



Complete all wiring before installing the D7052 and faceplate.

1. Wire the D7052 according to *Figure 3* or *Figure 4* on page 3.
2. Set the Class “A” and Class “B” jumper pins (*Figure 5* on page 3).
3. Mount the D7052 on a standard double-gang box (*Figure 6*) or 4 in. x 4 in. electrical box (*Figure 7*).

Figure 6: Mounting the D7052 to a Standard Double-Gang Box

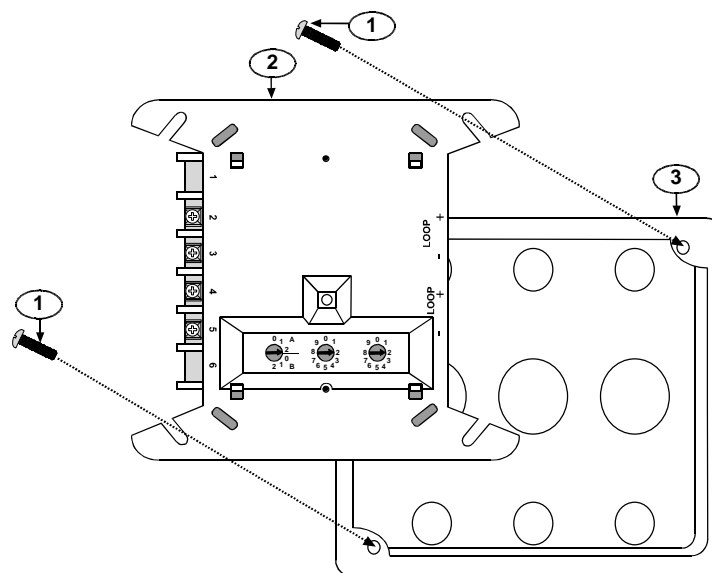


1 - Screws (4) - not supplied

2 - D7052 Module

3 - Double-gang box

Figure 7: Mounting the D7052 on an Electrical Box



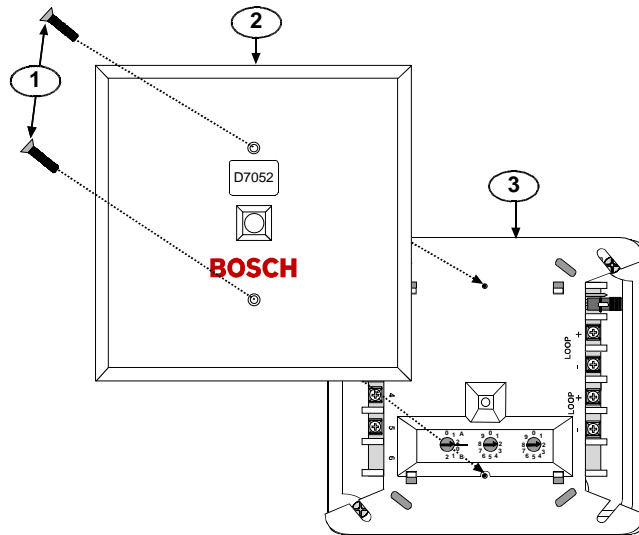
1 - Screws (2) - not supplied

2 - D7052 Module

3 - 4 in. x 4 in. electrical box

4. Secure the faceplate to the front of the D7052 (Figure 8).

Figure 8: Mounting the Faceplate



1 - Supplied screws (2)

2 - Faceplate

3 - D7052 Module on electrical box

5.0 Specifications

Table 1: Specifications	
Control Panel Programming Type	Class "B": Dual input Class "A": Single input
Control Panel Requirements	D7024 or DS9400 Series FACP with ROM v2.0 or greater and a D7039 or DS9431 Multiplex Expansion Module installed. Refer to the <i>D7024 Operation and Installation Guide</i> (P/N: 31499) or the <i>DS9400M Reference Guide</i> (P/N: 44578) for specific programming information. Refer to the <i>D7039 Installation Instructions</i> (P/N: 38685) of the <i>DS9431 Installation Instructions</i> (P/N: 41381) for multiplex wiring information.
Multiplex Bus Average Current Draw	Alarm: 550 μ A Standby: 550 μ A Nominal: 12 V
Operating Temperature	0°C to +49°C (+32°F to +120°F)
Relative Humidity	93% non-condensing
Listings and Approvals	UL864 California State Fire Marshall (CSFM)

Notes

Bosch
130 Perinton Parkway
Fairport, NY 14450-9199 USA
Customer Service: (800) 289-0096
Technical Support: (888) 886-6189

© 2004 Bosch
48709F



Recyclable

BOSCH