

TELEPHONES LE LAS

Phone:(33) 1 48766262

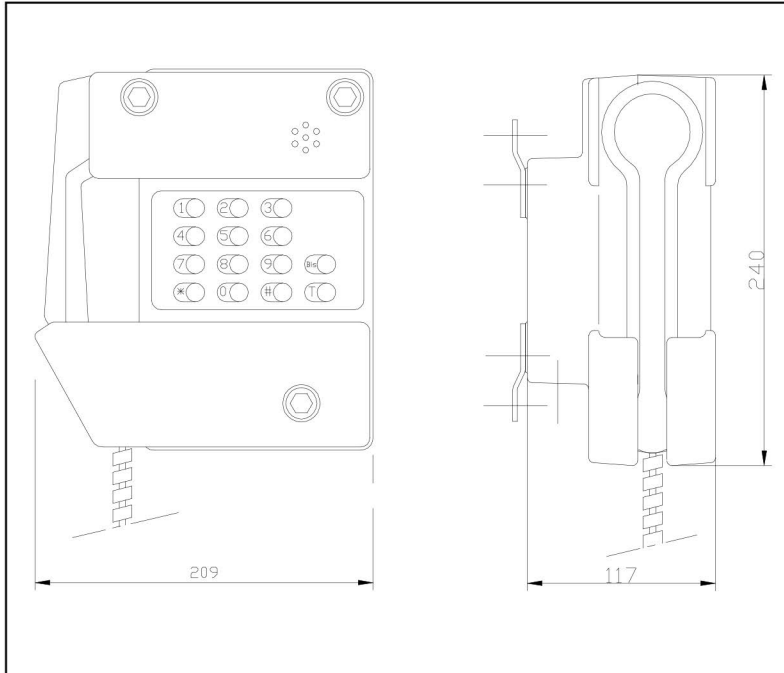
Fax:(33) 1 48768304

E-mail:lelas@wanadoo.fr

 Web-site: **www.lelas.fr**

Weatherproof IP66 ACB industrial telephone, Model : TLA346E15A

All use stainless steel screws


 Weather-proof IP65 ACB telephone
for wall mounting, aluminium light-alloy body
P/N TLA346E5A
Electrical Characteristics:

Direct current supply:	12 to 48 Vdc
Consumption:	< 30mA
Ringing voltage:	35 – 90 Vac
Dialing:	DTMF/pulse
Flashing/earth:	adjustable
Electronic Bell:	90dB at 1 m.
Hook:	magnetic type
Other characteristics:	CCITT Q23

Functions:

Keypad:	12 keys (*, #, 0,1..9)
BIS button:	Last number redial
R button:	Flash/Earth

Additional functions (options)

On demand is possible to mount nr. 2 automatic dialling emergency buttons for emergency purposes. The memory of the stored numbers is maintained by a 10 years lithium battery.


Body material / Color:.....Aluminum Light-alloy / RAL2003
 Handset material / color:.....Aluminum Light-alloy / Black
 Handset cord:.....stainless steel (INOX) 200kg resistance
 Mounting:.....on wall
 Termination:.....Inside screw connections
 Dimensions:210 X 240 X 117 mm
 Weight:.....3,6 kg
 IP-rating:66
 Max. / min. amb. Temp:.....-20 °C / + 50°C
 Cables inlets:.....(2 cableglands for cable ϕ 5 – 8 mm)
 Opening:3 screws on front part

Maintenance:

all circuits and control devices are fixed on the easy removable front plate for a very quick substitution of equipment in field


Installation, Operation and Maintenance Procedures

- Open the pivoting front panel removing the three screws.
- Pass the cables through the cableglands being sure that the cable fit with the rubber gasket
- Connect the telephone wires at the screw terminals as indicated in the operator's book
- Make a functional test calling another extension and asking to be re-called
- Adjust the volume of the bell (see operator's book)
- Adjust the sensitivity of the microphone (see operator's book)
- Close the front panel paying attention to the position of the gaskets


 This equipment is supplied with a 2 year warranty against defective workmanship

TELEPHONES LE LAS reserves the right to alter specifications without notice.