



EXPLOSION-PROOF BOX

- Hazardous Areas
- Zones 1 & 2, 21 & 22 - Group IIC
- IEC 60079-0, IEC 60079-1, IEC 60529
- Protection Index: IP66
- Compliance certificate: Bureau Veritas BVC09.9874
- Ex d IIC

FEATURES

- Mounting hood for electrical equipment, fabricated in special die-cast aluminum alloy with high mechanical strength and corrosion resistance, with threaded cover, including threaded holes on the sides and cover, as required.
- Comes with electro-plated steel chassis for mounting the components and external grounding terminal.
- Box is delivered sealed and assembled with components, according to each project.
- Internal components of the casing are arranged so as to meet standard IEC 60079-1.
- The holes and components must be specified in each project.
- **Ex d PROTECTION:** Enclosure designed and built so that even if an explosion occurs within the device, it does not propagate to the outside environment.
- **“tD” PROTECTION (against ignition of dust):** This equipment meets all relevant measures against penetration of dust and limitation of surface temperature, applicable to electrical equipment protected by an enclosure, to prevent ignition of a layer or cloud of dust.



FINISH

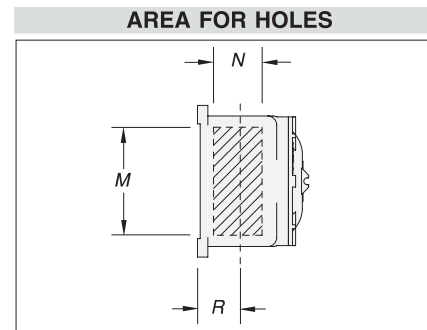
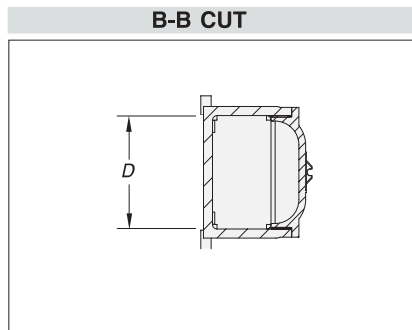
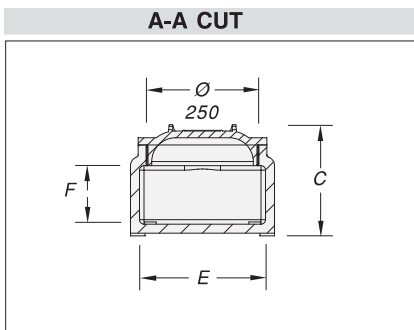
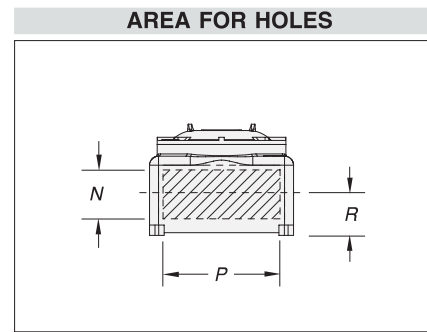
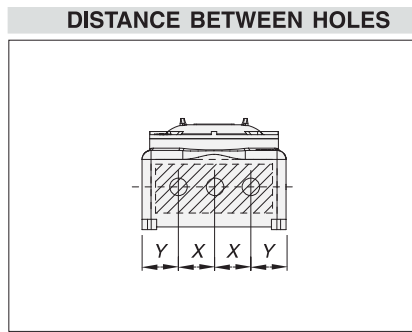
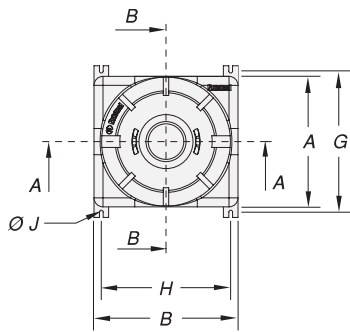
- **Exclusive REVESTEEL®:** gray anti-corrosive coating, characterized by its excellent resistance to chemical/mechanical corrosion and exposure to sunlight, extending the life of the product.

APPLICATION

- Suitable for assembling electrical and electronic equipment and components in hazardous areas.

DIMENSIONS

mm



Code	Ø max.	Dimensions (mm)															Weight (kg)	Volume (dm³)	
		External			Internal				Mounting Base			Chassis		Area for Holes					
		A	B	C	D	E	F	G	H	J	K	L	M	N	P	R			
NECM2P2H0	2"	182	168	161	146	160	90	196	154	9.5	120	140	160	68	162	49	4.50	4.90	
NECM2M1H0	3 1/2"	265	225	214	190	230	105	279	230	10	170	210	180	110	220	78	11.00	12.70	
NECM2G1H0	3 1/2"	290	320	247	250	280	125	313	288	8	230	250	150	110	260	95	21.00	22.90	
NECM2G2H0	4"	480	480	350	440	440	200	524	363	14	415	415	429	209	429	160	61.00	80.60	

JUNCTION BOXES